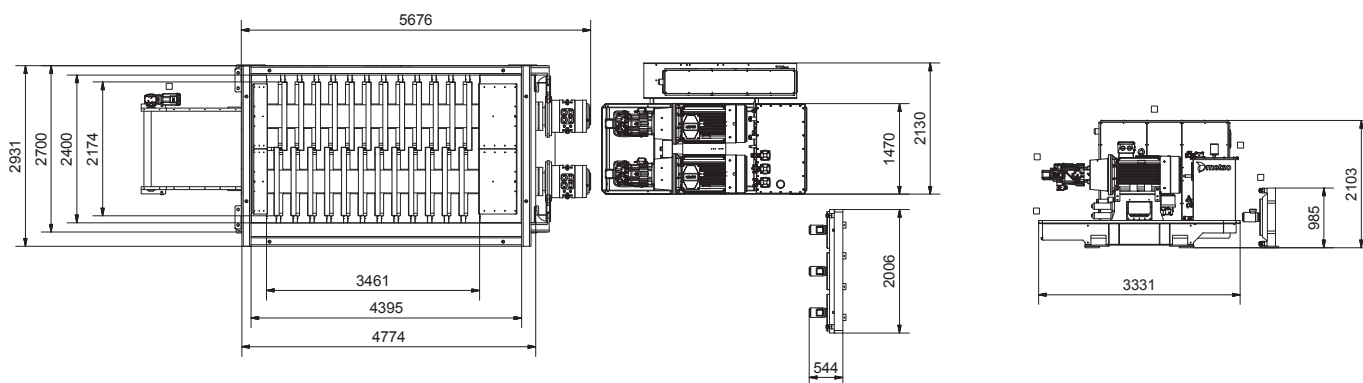
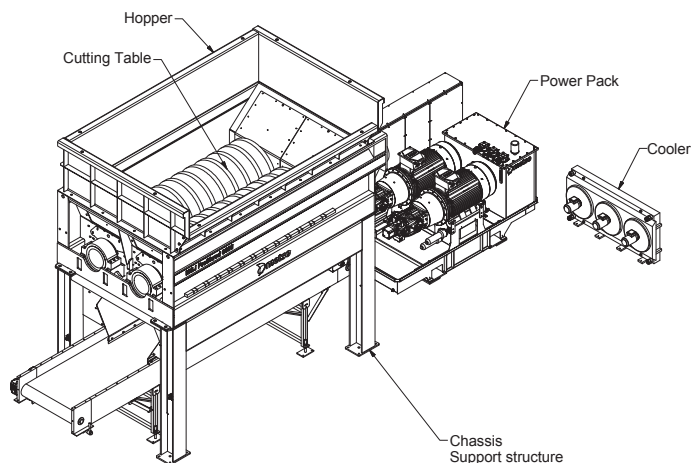
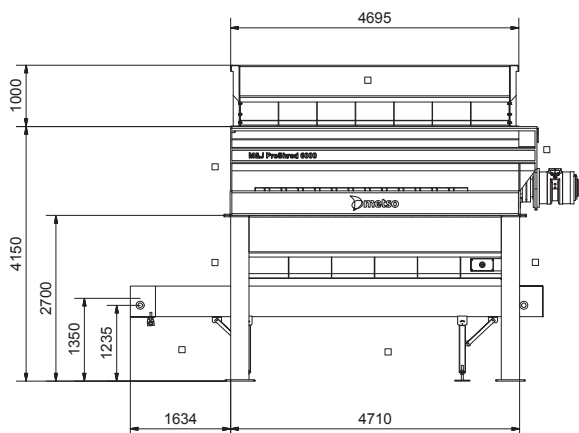


Waste Pre-Shredders from Metso Waste Recycling  
M&J PreShred 6000S



# M&J PreShred 6000S



Specification		
Overall dimension std without hopper (LxWxH)	mm	7740 x 2700 x 4150
Weight (total included standard conveyer)	ton	34.3 – 39.2
Standard colour	RAL	7011, 9002
Loading height (without hopper)	mm	4150
Cutting area	mm	3461 x 2400
Power pack		
Electric motor	kW	2x200 / 2x250
Electric control unit		PLC
Drive principle		Double hydrostatic transmission
Chassis		
Standard belt conveyer (LxW)	mm	6250 x 1200
Discharge height	mm	1235
Discharge width	mm	1200
Weight (included / exclusive conveyer)	ton	4.5 / 3.3

# Cutting table



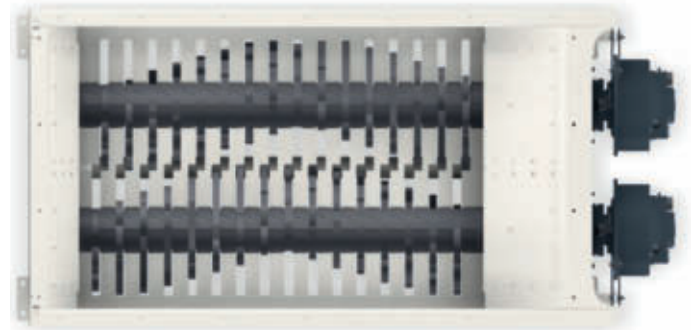
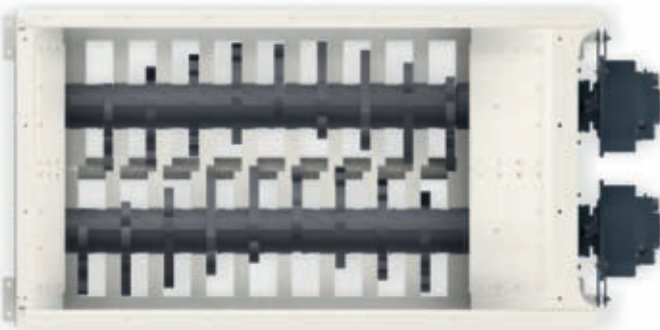
Samurai



Standard

Cutting table 9 knives

Cutting table 16 knives



## M&J PreShred 6000S

Cutting Table		
Number of shafts		2
Rotating speed*	rpm	11-32
Number of knives		9 / 12 / 14 / 16
Number of counter knives		18 / 24 / 28 / 32
Cutting area (LxW)	mm	3461 x 2400
Weight	ton	24.5 – 27.7
Grain size **		
9 knives	mm	<450
12 knives	mm	<300
14 knives	mm	<200
16 knives	mm	<125
Capacity per hour ***		
Household waste	ton	Up to 200
Demolition wood	ton	Up to 100
Industrial waste	ton	Up to 50
Bulky waste	ton	Up to 70

\* Standard \*\* 90% less than

\*\*\* Depending on loading, grain size and density of the input material



For more information, contact your local Metso Waste Recycling representative, or contact your dealer directly.

Metso Denmark A/S  
Vejlevej 5  
DK-8700 Horsens  
Denmark  
Tel: +45 7626 6400  
Fax: +45 7626 6449  
recycling.info.dk@metso.com

[www.metso.com/recycling](http://www.metso.com/recycling)

We reserve the right to make changes and improvements without notice, "M&J PreShred 6000S". Metso Waste Recycling, March 2017